

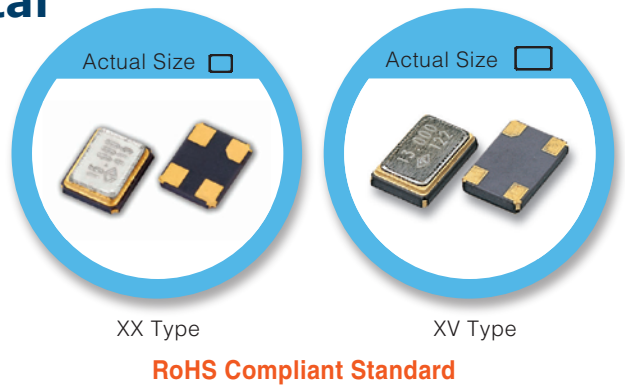
High Frequency SMD Crystal

FEATURE

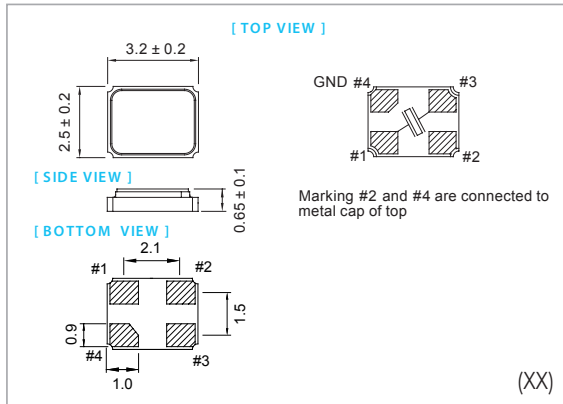
- Inverted-mesa structured quartz blanks for high frequency in fundamental mode up to 400MHz.
- Tight tolerance 10 ppm available.

TYPICAL APPLICATION

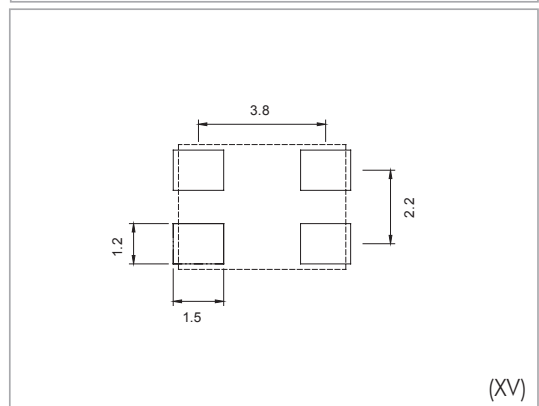
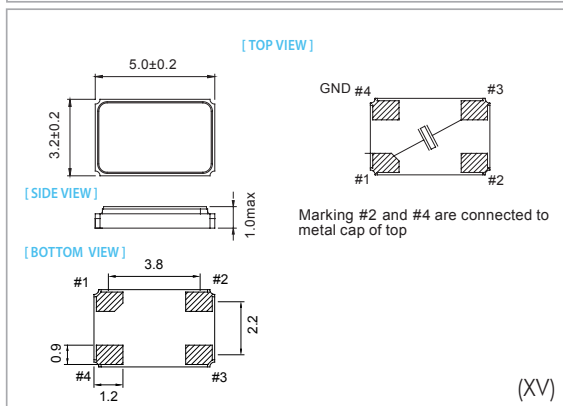
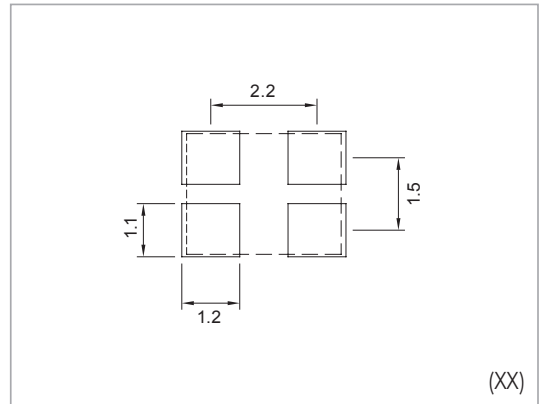
- Wireless LAN, Telecom
- High-Speed, High-Volume Data Transmissions



DIMENSION (mm)



SOLDER PAD LAYOUT (mm)



ELECTRICAL SPECIFICATION

Parameter	Min.	Typical	Max.	Unit
Storage Temp. Range	-55	-	125	°C
Standard Frequency	122.326, 122.344, 122.408, 122.430, 125, 156.125			MHz
Level of Drive	-	10	300	µW
Shunt Capacitance (C0)	-	-	3.0	pF
Insulation Resistance	500 MΩ @ DC100V			
Aging	±3.0			ppm / year

Standard frequencies are frequencies which the crystal has been designed and does not imply a stock position.

EQUIVALENT SERIES RESISTANCE (E.S.R)

TYPE FREQUENCY	MODE	E. S. R
80MHz ≤ Freq. ≤ 400 MHz	A1	<60 Ω

FREQ. STABILITY vs. TEMP. RANGE

Temp. (°C)	ppm	±5	±10	±15
-10 ~ +60		△	○	○
-20 ~ +70		X	○	○
-40 ~ +85		X	X	△

* ○: Available △: Conditional X: Not available

FREQ. STABILITY vs. WIDE TEMP. RANGE

Temp. (°C)	ppm	±20	±30	±50
-40 ~ +105		△	△	○
-40 ~ +125		X	X	△

* ○: Available △: Conditional X: Not available

Note: not all combination of options are available. Other specifications may be available upon request.

Specifications subject to change without notice.