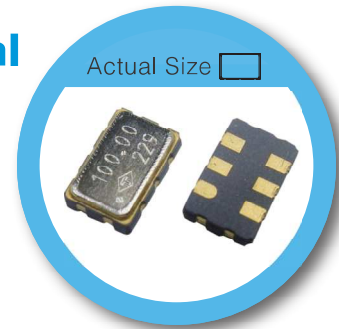


OW Type 5.0 x 3.2 mm SMD LVPECL/LVDS Crystal Oscillator

FEATURE

- Typical 5.0 x 3.2 x 1.25 mm hermetically sealed ceramic package.
- Very low jitter performance: typical 0.3 pS RMS from 12 k - 20 MHz.
- Fundamental/3rd overtone crystal design.
- Output frequency up to 320 MHz.
- Tri-state enable/disable

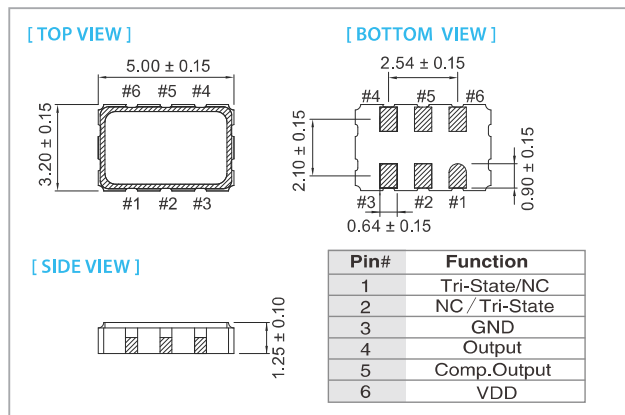


RoHS Compliant

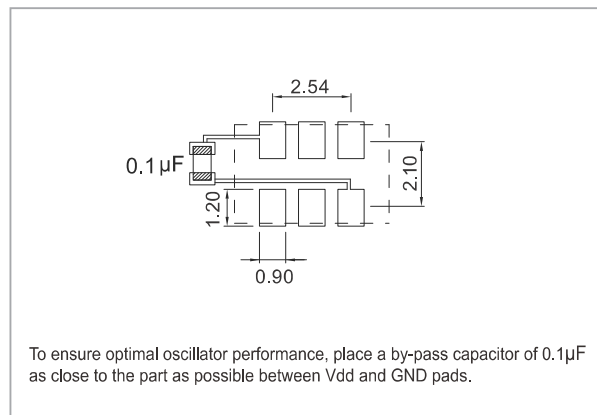
TYPICAL APPLICATION

- 10Gbit Ethernet, Fiber Channel, Storage Area Network, SONET
- Enterprise Servers, Reference clocks for ADC and DAC
- Telecom

DIMENSION (mm)



SOLDER PAD LAYOUT (mm)



ELECTRICAL SPECIFICATION

Parameter	LVPECL				LVDS				unit
	3.3 V		2.5 V		3.3 V		2.5 V		
	Min.	Max.	Min.	Max.	Min.	Max.	Min.	Max.	
Supply Voltage Variation (V_{DD}) ±5%	3.135	3.465	2.375	2.625	3.135	3.465	2.375	2.625	V
Frequency Range	10	320	10	320	10	320	10	320	MHz
Standard Frequency	106.25, 125, 155.52, 156.25, 187.5, 212.5, 312.5								
Supply Current	10 MHz ≤ Fo < 160 MHz		160 MHz ≤ Fo < 250 MHz		250 MHz ≤ Fo ≤ 320 MHz				
	—	75	—	100	—	100	—	65	mA
Output Level	Output High (Logic "1")		Output Low (Logic "0")						
	2.275	—	1.475	—	—	1.6	—	1.6	V
Transition Time: Rise/Fall Time⁺	—	1.0	—	1.0	—	1.0	—	1.0	nSec
Start Time	—	3	—	3	—	3	—	3	mSec
Tri-State(Input to Pin 2 or Pin 1)									
Enable (High voltage or floating)	2.31	—	1.75	—	2.31	—	1.75	—	V
Disable (Low voltage or GND)	—	0.99	—	1.75	—	0.99	—	0.75	
RMS Phase Jitter (Integrated 12 KHz ~ 20 MHz)									
Fo < 80 MHz	—	1	—	1	—	1	—	1	pSec
80 MHz ≤ Fo < 125 MHz	—	0.5	—	0.5	—	0.5	—	0.5	
125 MHz ≤ Fo < 170 MHz	—	0.3	—	0.3	—	0.3	—	0.3	
170 MHz ≤ Fo < 200 MHz	—	0.5	—	0.5	—	0.5	—	0.5	
200 MHz ≤ Fo	—	0.3	—	0.3	—	0.3	—	0.3	
Phase Noise@ 156.25 MHz	100 Hz		1 kHz		10 kHz				
	-95		-125		-140		-90		dBc/Hz
	-90		-125		-140		-120		
	-90		-125		-140		-140		
Aging (@ 25°C 1st year)	—	±3	—	±3	—	±3	—	±3	ppm
Storage Temp. Range	-55	125	-55	125	-55	125	-55	125	°C

Standard frequencies are frequencies which the crystal has been designed and does not imply a stock position.

+ Transition times are measured between 20% and 80% of V_{DD}.

FREQ. STABILITY vs. TEMP. RANGE

Temp. (°C)	ppm	±25	±50
-10 ~ +60		△	○
-20 ~ +70		△	○
-40 ~ +85		×	○

* ○: Available △: Conditional X: Not available

* Inclusive of calibration @ 25 °C, operating temperature range, input voltage variation, load variation, aging (1st year), shock, and vibration

Note: not all combination of options are available. Other specifications may be available upon request.